

Description : Capital 600

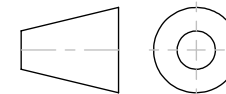
Code : AL5020

Revision : A-01

Scale : 1:10

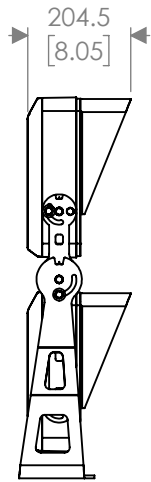
SHEET 1 OF 2

DIMENSIONS ARE IN MILLIMETERS [BRACKETED DIMENSIONS ARE IN INCHES]

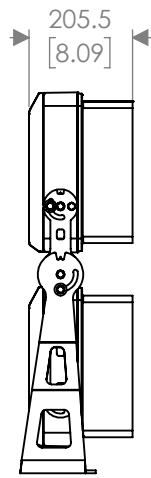


GRIVEN 

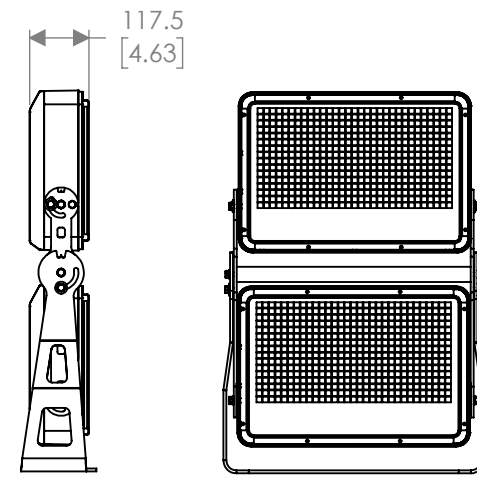
<http://www.griven.com>



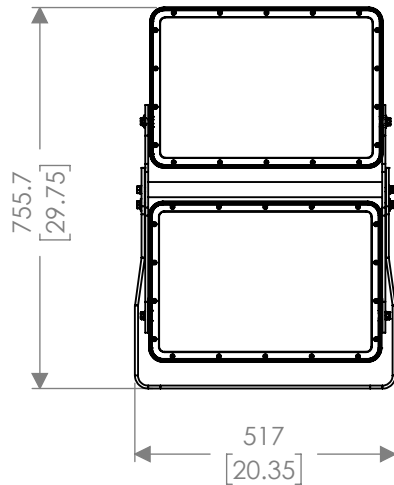
With Visor AL8235



With Snoot AL8236



With Wire Guard AL8237



With Standard Bracket

Note:
The rotation degree of each cluster, when equipped with accessories, may possibly decrease.

Description : Capital 600

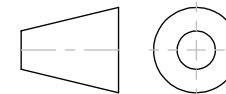
Code : AL5020

Revision : A-01

Scale : 1:15

SHEET 2 OF 2

DIMENSIONS ARE IN MILLIMETERS [BRACKETED DIMENSIONS ARE IN INCHES]



GRIVEN 

<http://www.griven.com>